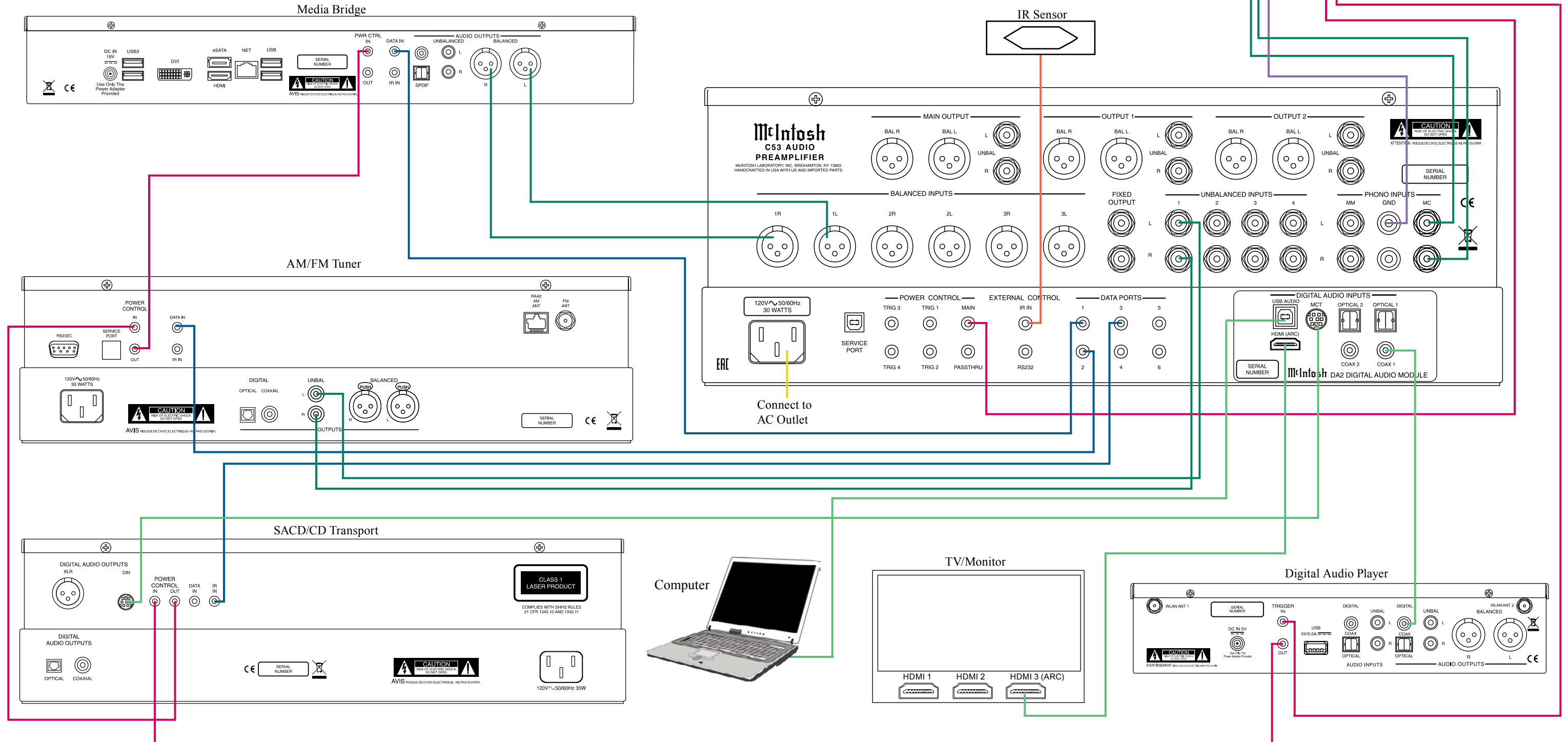
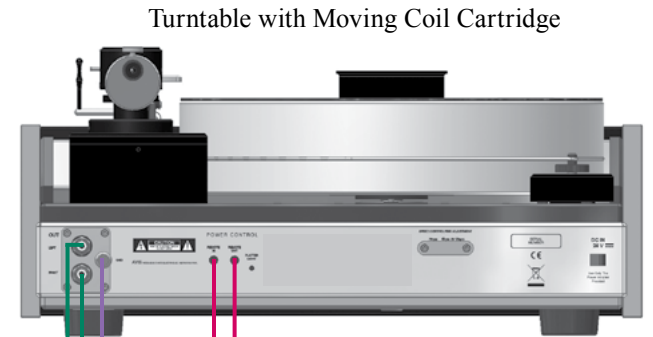


Note: Refer to the C53 Owner's Manual pages 7&8 for additional connection information.

Connection Legend:

- Data Cable* - — Digital Signal Cable - —
 - Sensor/Keypad Cable - — RS232 Cable - —
 - Power Control Cable* - — Ground Wire - —
 - Audio Signal Cable - — AC Power Cords - —
 - Video Signal Cable - — Loudspeaker Cable - —
 - RF Signal Cable - —
- * 2 conductor shielded with 1/8 inch stereo mini phone plug on each end.



Note: Refer to the C53 Owner's Manual page 8 for additional connection information.

Connection Legend:

- Data Cable* - — Digital Signal Cable - —
 - Sensor/Keypad Cable - — RS232 Cable - —
 - Power Control Cable* - — Ground Wire - —
 - Audio Signal Cable - — AC Power Cords - —
 - Video Signal Cable - — Loudspeaker Cable - —
 - RF Signal Cable - —
- * 2 conductor shielded with 1/8 inch stereo mini phone plug on each end.

